

WISI LX 22 S 0400

Quattro US HFC Receiver

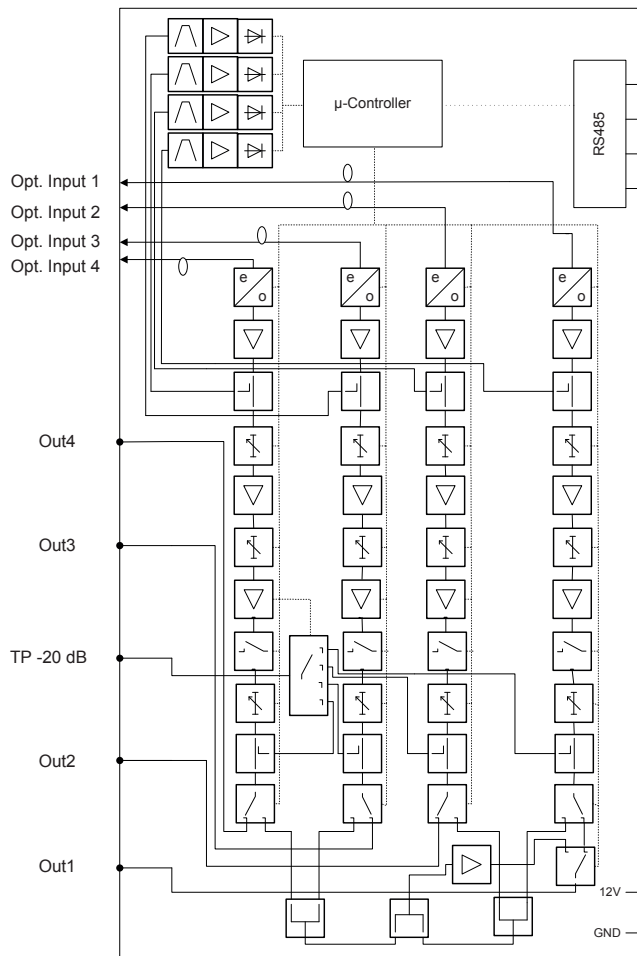


At a glance:

- Optical quattro upstream receiver for use in WISI Chassis LX50
- 4 independent upstream channels per unit or ne combined output
- 4 RF output ports at rear
- Optical automatic level control (ALC) for constant RF-Level
- Redundancy switching option with LX71

Description

The LX 22 is part of the Optopus product portfolio. LX 22 is a quattro upstream receiver for use in HFC networks. The Optopus platform is a highly flexible and high-density platform for all types of analog optical networks. The system is used in any network such as HFC, RF over Glass or RF Overlay in FTTH applications.



WISI Communications GmbH & Co. KG

Wilhelm-Sihn-Str. 5-7
75223 Niefern-Oeschelbronn, Germany

Phone: +49 7233 66-280, Fax: -350
E-Mail: export@wisi.de

Technical Modifications reserved. WISI cannot be held liable for any printing error. 10. Juli 2019, 5:29 nachm.

Technical data

| | |
|--|--|
| Optical Receiver LX | 4 pcs. |
| Optical input level | -17...+0 dBm |
| Optical input attenuator | 0...40 dB (1 dB-steps, only adjustable when ALC is off) |
| Receiving wavelength | 1280...1630 nm |
| Thermal receiver noise | ≤2 pA/√Hz |
| Optical return loss | >45 dB |
| Electrical return loss | ≥20 dB (-1 dB/oct.) |
| Frequency range | 5...204 MHz |
| Ripple | ≤ ±0,75 dB |
| Electrical output power | 90 dBμV (max. controlled level, 5% OMI, ALC on) |
| Output attenuator | 0...15 dB (1 dB-steps) |
| Output test point | -20 dB |
| Connectors | |
| SC/APC connectors | 1 pcs. |
| F-socket | 1 pcs. |
| General data | |
| Power consumption | ≤12 W |
| Dimensions (width x height x depth) | 30 x 133 x 320 mm |
| Environmental parameters | -5...+45 °C (ETSI EN 300 019-1-3 Class 3.1) |

Packaging data

| | |
|-----------------------------------|---------------------|
| Sales unit | 1 pcs. |
| Dimensions (WxHxD) sales unit | 440 x 200 x 60 mm |
| Packaging volume sales unit | dm ³ |
| Gross weight sales unit | 1.845 kg |
| Shipping unit | pcs. |
| Dimensions (WxHxD) shipping unit | mm |
| Packaging volume shipping package | 2.8 dm ³ |
| Gross weight shipping unit | 1.7 kg |
| Customs tariff number | 85176200 |
| EAN | 4010056719494 |
| Article number | 71949 |